

**LITTLE FINK®**

**Cathodic Protection  
Test Station**



# LITTLE FINK®

The **LITTLE FINK**® cathodic protection test station is a 2 or 3 lead version of the **Big FINK**®. Since 1977 its rugged, maintenance free construction has served pipeline companies world wide. Manufactured by Cott in its Pittsburgh and Los Angeles factories, the **LITTLE FINK**® is available from Cott distributors worldwide.

## Features:

### CP Test Station

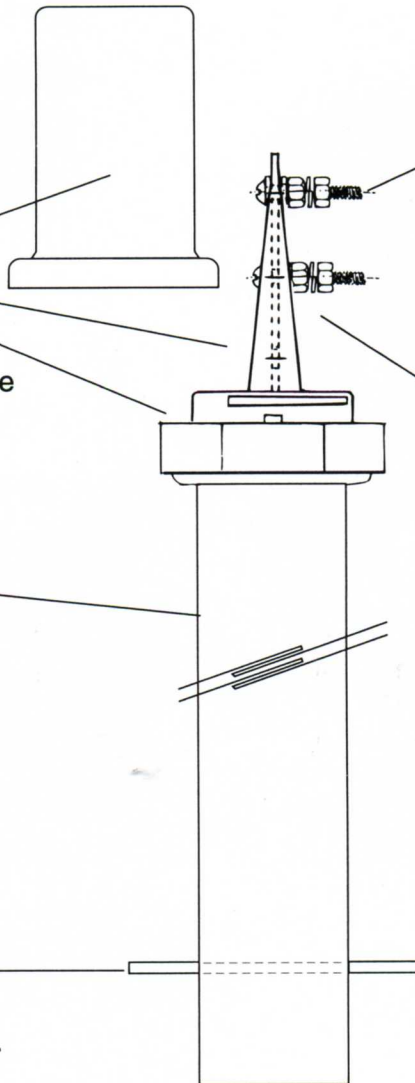
Cap, Terminal Board and Collect Nut made from Makrolon® polycarbonate. One of the toughest plastics in the world.

### Support Post

**COTTPipe**® PE (Standard) polyethylene blend has over 20 years of proven durability. **COTTPipe**® PC (optional) polycarbonate is available for the toughest applications. Standard length 6 feet - available to 40 feet.

### Anchor

**COTTPipe**® PE is easily installed and prevents pullout.



### Hardware

Standard nickel plated brass or optional stainless steel for guaranteed long service life. Up to 3 terminals accessible from both sides of the board.

### Accessories

All **LITTLE FINK**® terminal boards can accommodate **COTTShunts**®, Burndy connectors, Cott bonding/shorting straps, Banana Jacks, locking devices, lightning arrestors and flange mounting brackets.

### Colors

Red, Orange, Yellow, Green, Blue, White and Black are standard on **LITTLE FINK**® and **COTTPipe**®. Any color is available as an option.

### Sizes

Available in models to fit ¾" and 1¼" pipe.

# COTT

STUART STEEL PROTECTION CORP.

BOX 476

SOUTH BOUND BROOK, NJ 08880

PHONE (732) 469-5544

FAX (732) 469-9270

E-mail: [sspcmail@worldnet.att.net](mailto:sspcmail@worldnet.att.net)

Website: [www.stuartsteel.com](http://www.stuartsteel.com)

STUART STEEL PROTECTION CORP.

BOX 476

SOUTH BOUND BROOK, NJ 08880

PHONE (732) 469-5544

FAX (732) 469-9270

E-mail: [sspcmail@worldnet.att.net](mailto:sspcmail@worldnet.att.net)

Website: [www.stuartsteel.com](http://www.stuartsteel.com)