

FLUSH FINK®

Cathodic Protection
Test Station



FLUSH FINK®

The **FLUSH FINK**® cathodic protection test station and terminal enclosure is a high strength, maintenance free, non-conductive, flush mounted below ground terminal. It's patented "Bell Jar" design keeps test leads dry even when the enclosure is covered by flood water. Field proven since 1978, **FLUSH FINK**® is manufactured by Cott in Pittsburgh, Pennsylvania and Los Angeles, California. It is available from Cott distributors everywhere.

Features:

CP Test Station

Watertight Bell, Terminal Board and Housing are made from Makroblend® polycarbonate alloy, one of the worlds toughest plastics. **FLUSH FINK**® is impervious to impact, traffic loads and chemical spills common to street usage.

Support Post

COTTPipe® PE (Standard) polyethylene blend has over 20 years of proven durability. **COTTPipe**® PC (optional) polycarbonate is available for the toughest applications. Standard length 1 foot - available to 40 feet with Cott's Telescoping Extender.

Colors

Red, Orange, Yellow, Green, Blue, White and Black are standard on **FLUSH FINK**® and **COTTPipe**®. Any color is available as an option.

Hardware

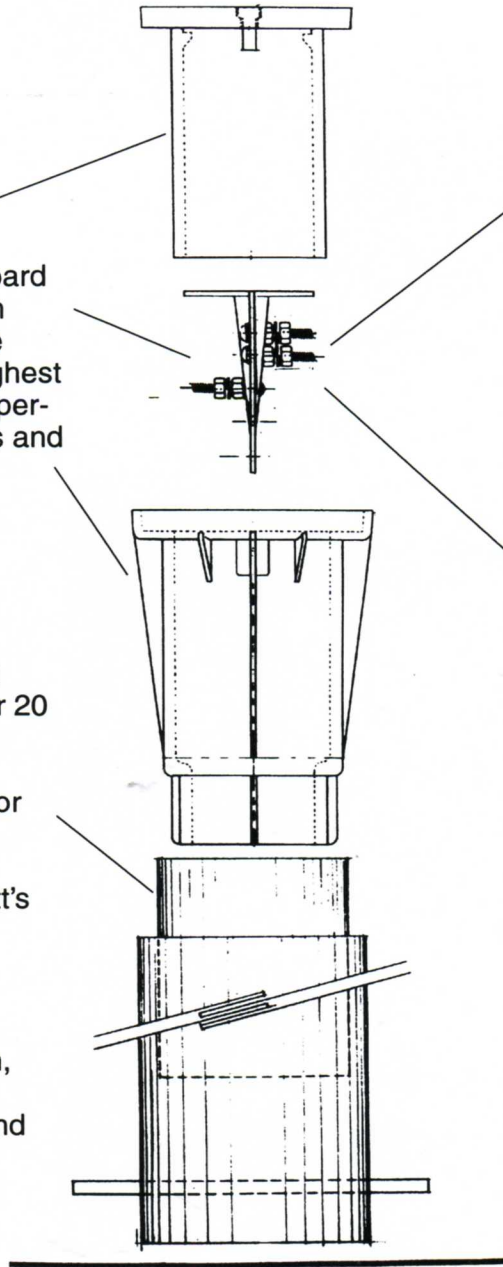
Standard nickel plated brass or optional stainless steel for guaranteed long service life. Up to 11 terminals accessible from both sides of the board.

Accessories

All **FLUSH FINK**® terminal boards can accommodate **COTTShunts**®, Slide Resistors, Rheostats, **COTTMeters**® (Volt or Amp) Burndy connectors, Cott bonding/shorting straps, Banana Jacks, **ZAP Gard**®, locking devices, and lightning arrestors.

Dimensions

5½" Diameter x 8" height fits 4" schedule 40 pipe.



COTT
STUART STEEL PROTECTION CORP.

BOX 476
SOUTH BOUND BROOK, NJ 08880
PHONE (732) 469-5544
FAX (732) 469-9270
E-mail: sspcmail@worldnet.att.net
Website: www.stuartsteel.com

STUART STEEL PROTECTION CORP.

BOX 476
SOUTH BOUND BROOK, NJ 08880
PHONE (732) 469-5544
FAX (732) 469-9270
E-mail: sspcmail@worldnet.att.net
Website: www.stuartsteel.com