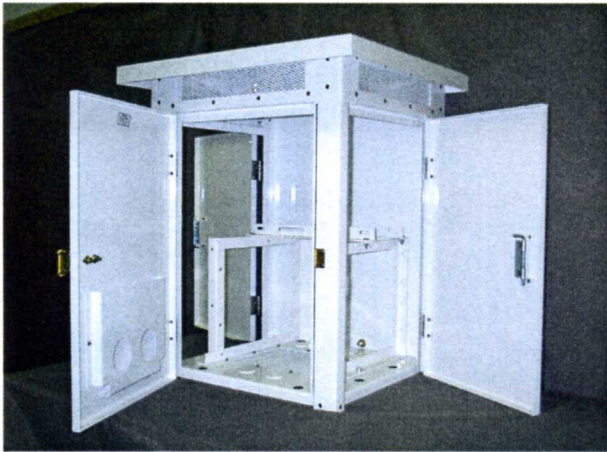


Cathodic Protection Rectifier Advantage Air Series:

Integrated Rectifier Technologies Advantage Series of rectifier provides a quality product with the intention to meet the requirements of our clients. Used in the majority of applications; this series has a multitude of options available.

Standard Features



- Removable 3-door cabinet c/w slide out frame
 - Nema 3R rated cabinet, lockable
 - Available in 12 gauge polyester powder coated steel or 11 gauge hot dipped galvanized steel
 - All cabinet hardware stainless steel, all brass/copper hardware has electroless nickel plated finish
 - Available with pole / wall or base mounting bracket
 - Single and three phase inputs available
 - 25 output steps, tap link bar adjustment
 - Transformer min. 95% efficient, Class H temperature rated
-
- Overload / short protection provided by fully magnetic trip circuit breaker and fusing
 - Silicon diode rectification bridge c/w surge protection
 - 3 ½ " continuous readout DC metering, Accuracy +/- 2%
 - High energy AC and DC lightning protection on all rectifiers
 - -50 to +45 Celsius operating ambient
 - One year Warranty
 - Full line of options available
 - CSA approved



INTEGRATED RECTIFIER TECHNOLOGIES, INC.

15360 - 116 Avenue
Edmonton, Alberta, Canada T5M 3Z6

Advantage Air Series Model Coding

ADASFS 60-42 B

ADVANTAGE LINE MODEL

AIR-COOLED TYPE

SILICON RECTIFIER TYPE

AC INPUT

- A - 115 VAC
 - B - 208 VAC
 - C - 230 VAC
 - D - 416 VAC
 - E - 460 VAC
 - F - 115/230 VAC
 - G - 230/460 VAC
 - H - 600 VAC
 - Z - OTHER INPUT
- CONSULT
FACTORY

AC PHASE

- S - SINGLE PHASE
- T - THREE PHASE

DC VOLTAGE RATING

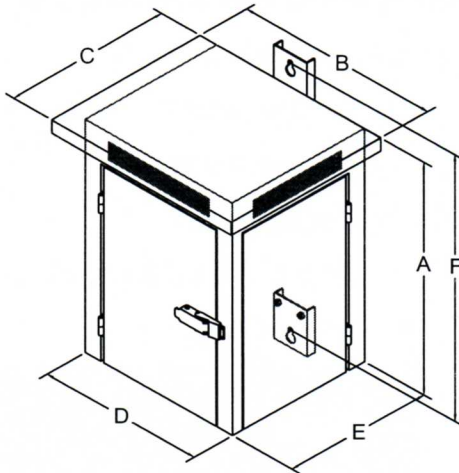
DC CURRENT RATING

COMMON OPTIONAL FEATURES

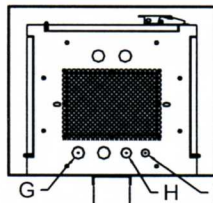
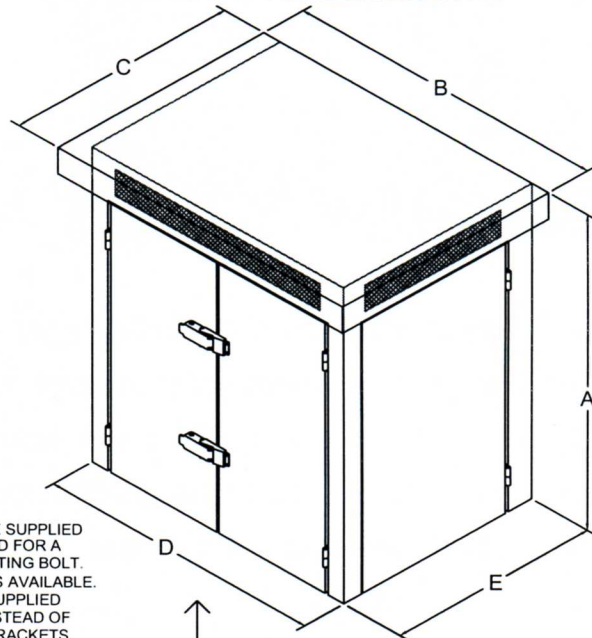
- A - ALARM CIRCUIT **
- B - BASE MOUNTING LEGS (12" Typical) **
- C - COMMUNICATIONS FILTER (CAPACITOR / CHOKE)
- D - UPGRADED DIODE VOLTAGE (PIV) RATING
- E - EFFICIENCY FILTER (CHOKE)
- F - NON-STANDARD ENCLOSURE FINISH **
- G - GFI CONVENIENCE OUTLET **
- I - INTERRUPTER CIRCUIT
- J - NON-STANDARD AC INPUT FREQUENCY (50 Hz.)
- L - NON-STANDARD DC LUG TERMINALS **
- M - EXTRA RECTIFIER METER **
- N - AUXILIARY NEGATIVE OUTPUT CIRCUIT **
- O - METER SWITCH **
- P - AUXILIARY POSITIVE OUTPUT CIRCUIT **
- Q - NON-STANDARD TRANSFORMER ADJUSTMENT **
- R - POTENTIAL METER
- T - EXTENDED TEMPERATURE RATING
- X - EXPORT CRATING
- Y - SPECIAL TEST, DOCUMENT OR LABEL REQUIREMENT
- Z - NON-LISTED OPTIONAL FEATURE (consult factory)

** - Option details available on Website: www.irtrectifier.com

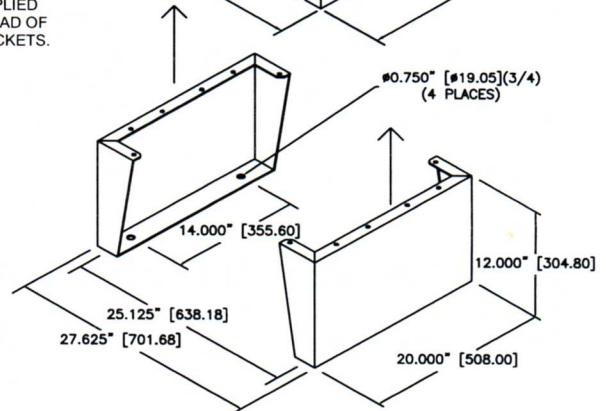
TYPICAL A-2 OR A-3 SIZE ENCLOSURE



TYPICAL A-4 SIZE ENCLOSURE



NOTE: A-2 & A-3 ENCLOSURES ARE SUPPLIED WITH (2) KEYHOLES SIZED FOR A MAXIMUM 5/8 (0.625") MOUNTING BOLT. OPTIONAL BASE MOUNTING IS AVAILABLE. A-4 ENCLOSURES ARE SUPPLIED WITH BASE MOUNTING INSTEAD OF WALL / POLE MOUNTING BRACKETS.



ENCL. SIZE	ENCLOSURE DIMENSIONS (")								
	A	B	C	D	E	F	G	H	I
A-2	26.625	23.25	19.25	19.00	17.00	30.50	1.375 (4) 1" KO	1.125 (1) 3/4" KO	0.875 (1) 1/2" KO
A-3	32.625	26.25	24.25	22.00	22.00	36.50	1.375 (4) 1" KO	1.125 (1) 3/4" KO	0.875 (1) 1/2" KO
A-4	36.00	36.25	26.25	32.00	24.00	N/A	1.984 (4) 1 1/2" KO	1.375 (1) 1" KO	1.125 (1) 3/4" KO

