

Specify as EDI Model AP-asm-l.l.ttt where

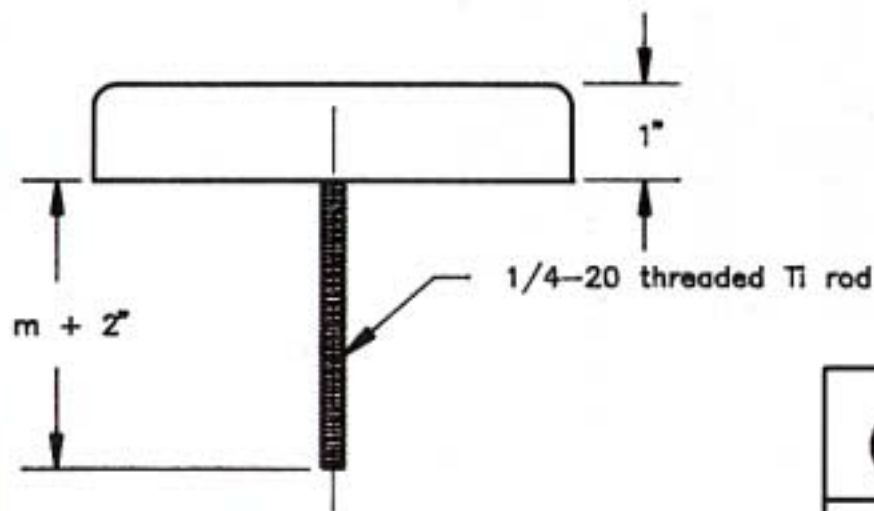
- a = active surface: M for mixed metal oxide or P for platinum
- s = substrate: T for titanium or N for niobium
- m = waterbox wall thickness: 1, 2 or 3 inches
- l = active surface length, inches
- ttt = micro-inches platinum: 100, 150, 200, 250, or 300
electrolyte for mixed metal oxide: F, B or S for ; or
Fresh, Brackish or Salt water

Stock Sizes

	Active Area
$\frac{1}{3}$ "	9 sq. in.
4 1/2"	20 sq. in.
6"	36 sq. in.

Custom Sizes

l can be varied in 1/2" increments from 1" through 6". For rectangular active surfaces, use EDI Model AL Low Profile Anodes.



electrochemical devices, inc.

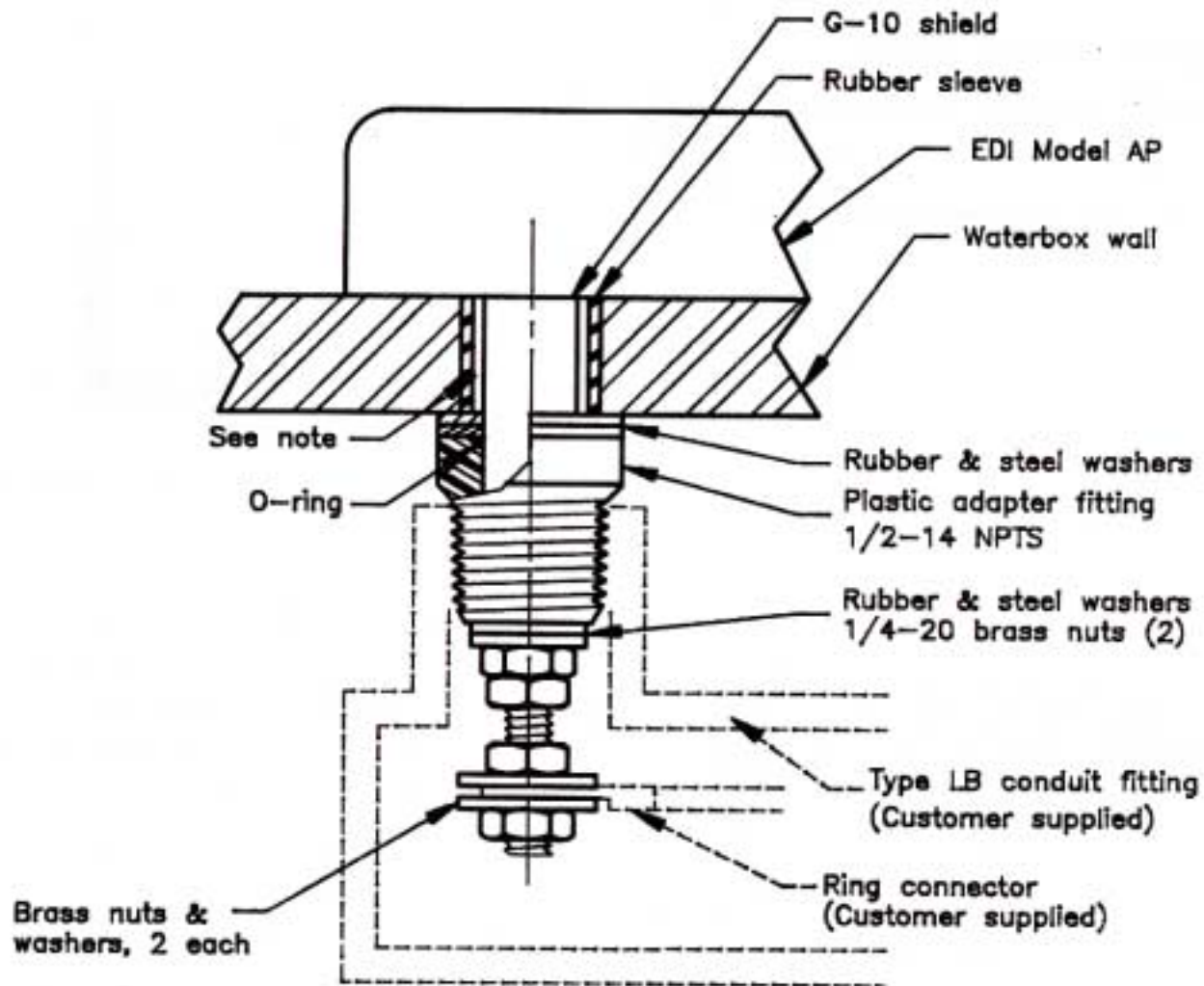
Plate Anode Assembly

SCALE HALF

DRAWN BY FJA

DATE 07/11/96

DRAWING NO. APASY



Note: Place silicone seal in annular spaces between bolt or threaded rod and waterbox wall.



electrochemical devices, inc.

Low Profile Anode Installation

SCALE NONE

DRAWN BY FJA

DATE 07/09/96

DRAWING NO. APAPP1